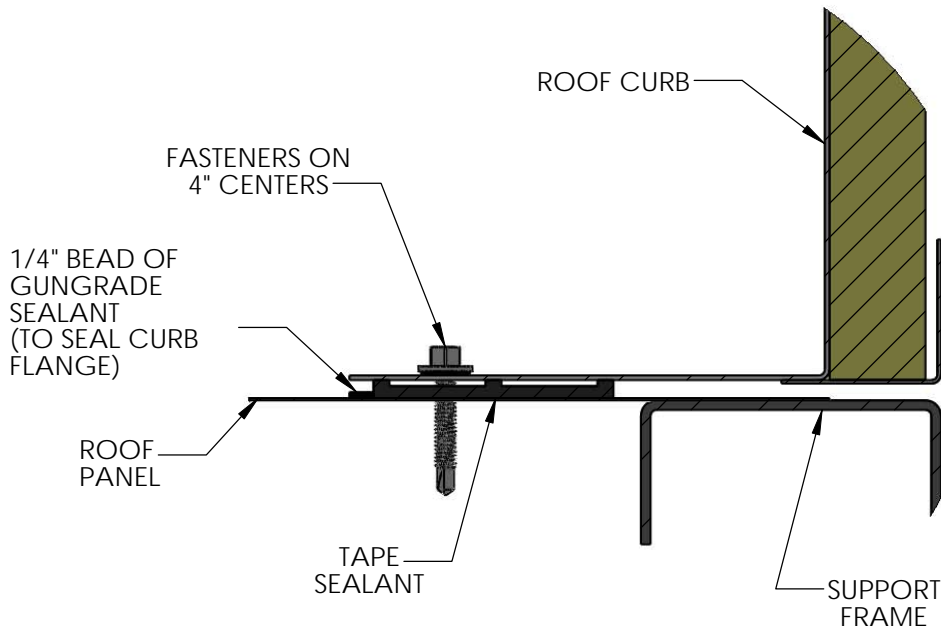
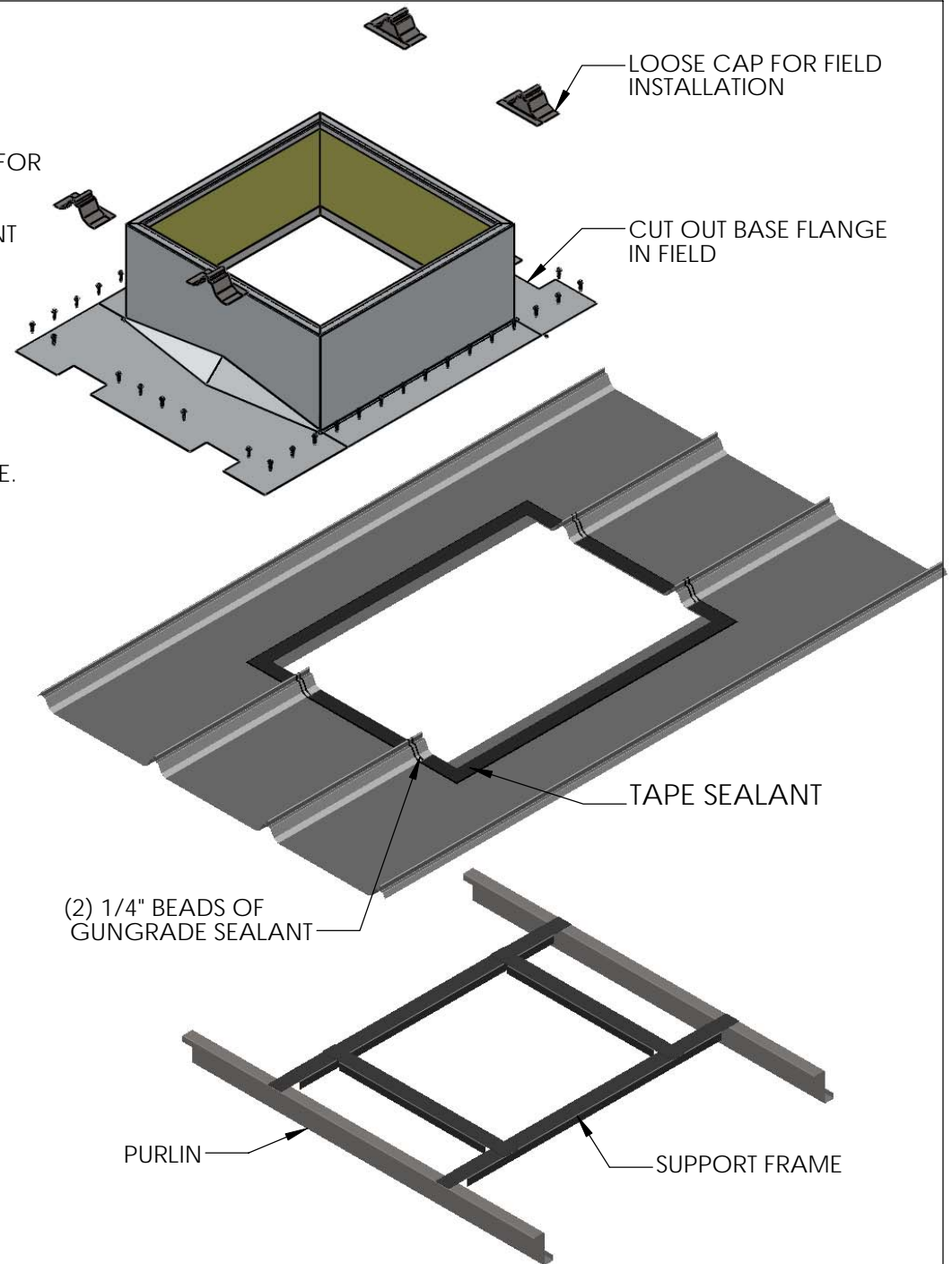


INSTALLATION INSTRUCTIONS

1. CUT OPENING IN ROOF (USE NON-ABRASIVE SAW).
2. INSTALL SUPPORT FRAMING BENEATH ROOF.
3. MEASURE AND MARK CURB FOR FIELD NOTCHES IN FLANGES AT RIBS FOR BOTH FRONT AND BACK (DO NOT OVERSIZE THESE NOTCHES).
4. MARK LOCATION OF CURB ON ROOF AND APPLY 2 1/2" TAPE SEALANT 1/2" INSIDE OF THE MARK OF THE CURB PERIMETER (DO NOT PUT TAPE SEALANT OVER RIBS).
5. APPLY (2) 1/4" BEADS OF GUNGRADE SEALANT OVER RIBS.
6. PUT CURB IN PLACE.
7. ATTACH FASTENERS ON 4" CENTERS.
8. APPLY 1/4" BEAD OF GUNGRADE SEALANT TO EDGE OF CURB FLANGE. TOOL SEALANT BETWEEN CURB FLANGE AND ROOF PANEL.
9. REMOVE ALL METAL PARTICLES AND DEBRIS FROM ROOF AND CURB FLANGE AREAS. (THIS IS CRITICAL ON PAINTED ROOFS.)



SEALANT, FASTENER AND SUPPORT FRAME DETAIL

FOLDER LOCATION: C:\Documents and Settings\justinh\Desktop\MBC INSTALL\



2716 Grassland Drive
Louisville, KY 40299
1-800-382-2872
Fax: (502) 491-1739

DRAWN BY
JLH

CHECKED
-

DATE
01/27/11

PART:
MBC1 INSTALLATION

DIMENSIONS ARE IN INCHES
UNLESS OTHERWISE SPECIFIED.

DWG. DESCRIPTION:
MBC-1 RECOMMENDED INSTALLATION INSTRUCTIONS

CURRENT REVISION: **A**